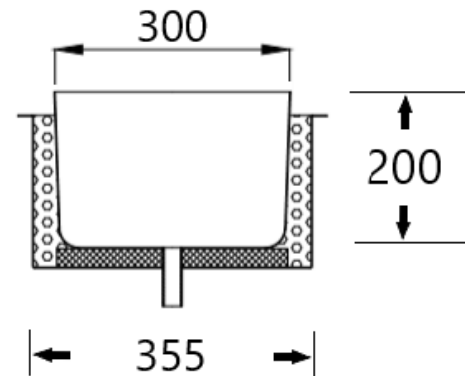
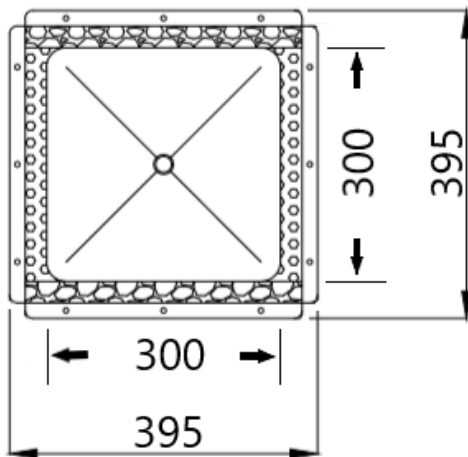


HFW30

Product	Weld In Ice Well HFW30 17 Litres
	300 x 300 x 200mm
Material	304 grade Stainless Steel double skin
Insulation	25mm thick injected polyurethane
Material Thickness	1.2mm internal bowl 1.0mm external bowl
Mounting	Weld into stainless steel bench top
Outlet Size	25mm centre outlet pipe
Features	External shell has a 20mm fixing flange with pre drilled holes for under bench fixing prior to welding



HFW30B
Suitable for HFW30 and HFW30WF



HFW30L
Suitable for HFW30 and HFW30WF