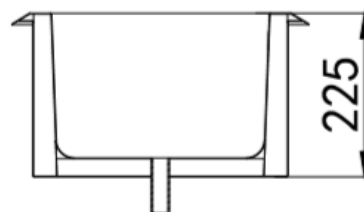
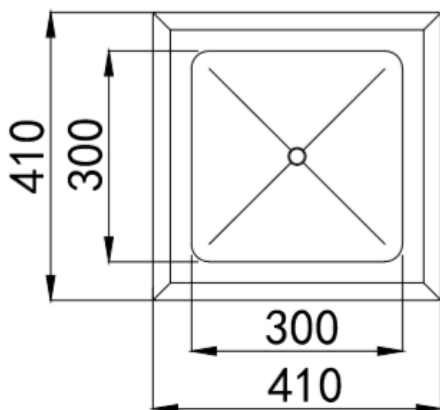


HFW30WF

Product	Drop In Ice Well HFW30WF 17 Litres
	300 x 300 x 200mm
Cut Out	355 x 355mm
Material	304 grade Stainless Steel double skin
Insulation	25mm thick injected polyurethane
Material Thickness	1.2mm internal bowl 1.0mm external bowl
Mounting	Drop into any bench top
Outlet Size	25mm centre outlet pipe
Features	Raised wet edge for spill guard



HFW30B

Suitable for HFW30 and HFW30WF



HFW30L

Suitable for HFW30 and HFW30WF