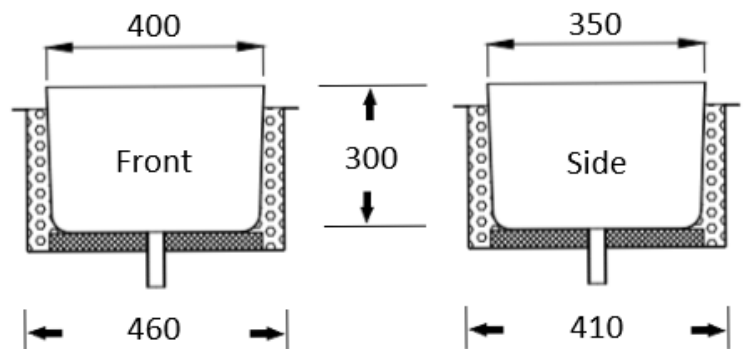
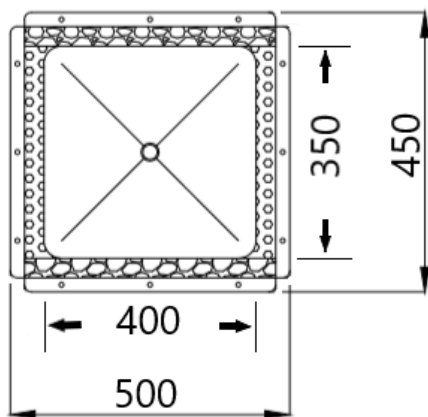


HFW40

| | |
|---------------------------|--|
| Product | Weld In Ice Well HFW40 38 Litres |
| | 400 x 350 x 300mm |
| Material | 304 grade Stainless Steel double skin |
| Insulation | 25mm thick injected polyurethane |
| Material Thickness | 1.2mm internal bowl 1.0mm external bowl |
| Mounting | Weld into stainless steel bench top |
| Outlet Size | 25mm centre outlet pipe |
| Features | External shell has a 20mm fixing flange with pre drilled holes for under bench fixing prior to welding |



HFW40B

Suitable for HFW40 and HFW40WF



HFW40L

Suitable for HFW40 and HFW40WF