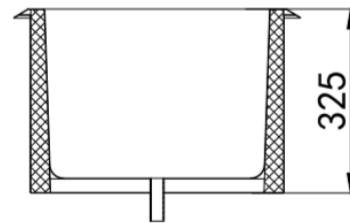
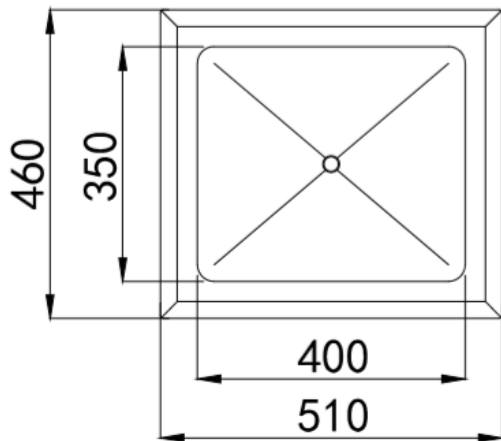


### HFW40WF

<b>Product</b>	<b>Drop In Ice Well HFW40WF 38 Litres</b>
	<b>400 x 350 x 300mm</b>
<b>Cut Out</b>	455 x 405mm
<b>Material</b>	304 grade Stainless Steel double skin
<b>Insulation</b>	25mm thick injected polyurethane
<b>Material Thickness</b>	1.2mm internal bowl 1.0mm external bowl
<b>Mounting</b>	Drop into any bench top
<b>Outlet Size</b>	25mm centre outlet pipe
<b>Features</b>	Raised wet edge for spill guard



**HFW40B**

Suitable for HFW40 and HFW40WF



**HFW40L**

Suitable for HFW40 and HFW40WF