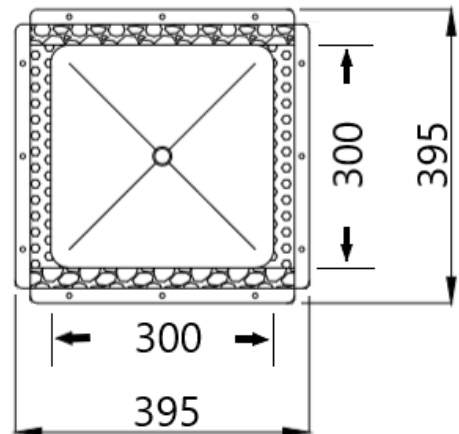
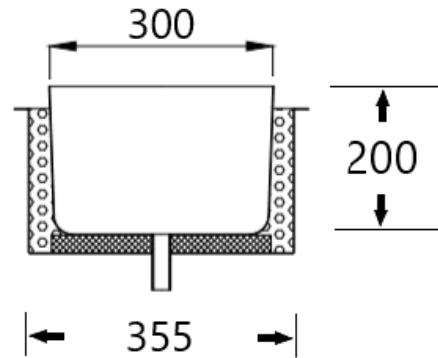


Product	HFW30
Material	304 grade Stainless Steel double skin
Bowl Size	300 x 300 x 200 mm deep
Capacity	17 Litres
Insulation	25mm thick injected polyurethane
Material Thickness	1.2mm internal bowl 1.0mm external bowl
Type of Mounting	Weld into stainless steel bench top
Outlet Size	25mm centre outlet pipe
Features	External shell has a 20mm fixing flange with pre drilled holes for under bench fixing prior to welding



HFW30



Ice Well Accessories



HFW30B
292mm x 292mm x 180mm deep
Suitable for HFW30 and HFW30WF



HFW30L
315mm x 315mm
Suitable for HFW30 and HFW30WF