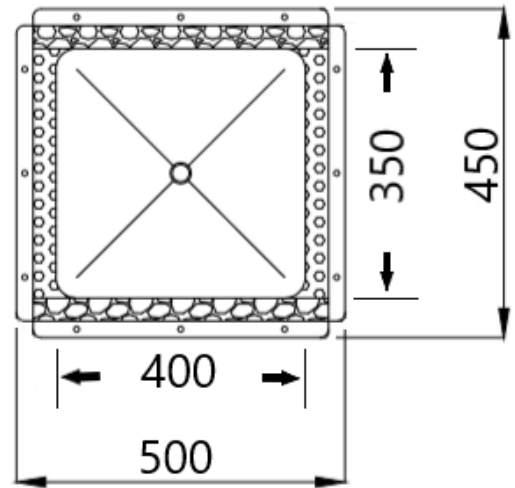
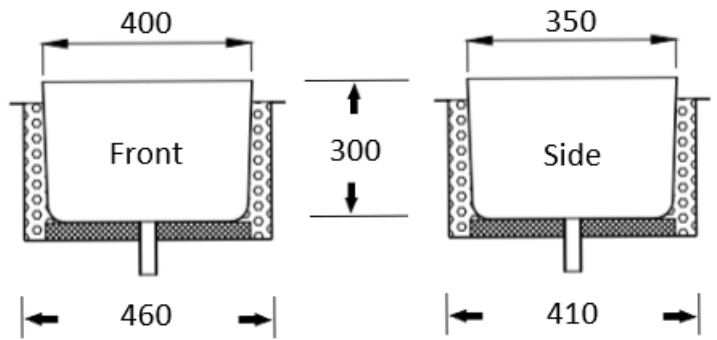


<b>Product</b>	<b>HFW40</b>
<b>Material</b>	304 grade Stainless Steel double skin
<b>Bowl Size</b>	400 x 350 x 300 mm deep
<b>Capacity</b>	38 Litres
<b>Insulation</b>	25mm thick injected polyurethane
<b>Material Thickness</b>	1.2mm internal bowl 1.0mm external bowl
<b>Type of Mounting</b>	Weld into stainless steel bench top
<b>Outlet Size</b>	25mm centre outlet pipe
<b>Features</b>	External shell has a 20mm fixing flange with pre drilled holes for under bench fixing prior to welding



**HFW40**



## Ice Well Accessories



**HFW40B**  
392mm x 342mm x 280mm deep  
Suitable for HFW40 and HFW40WF



**HFW40L**  
415mm x 365mm  
Suitable for HFW40 and HFW40WF