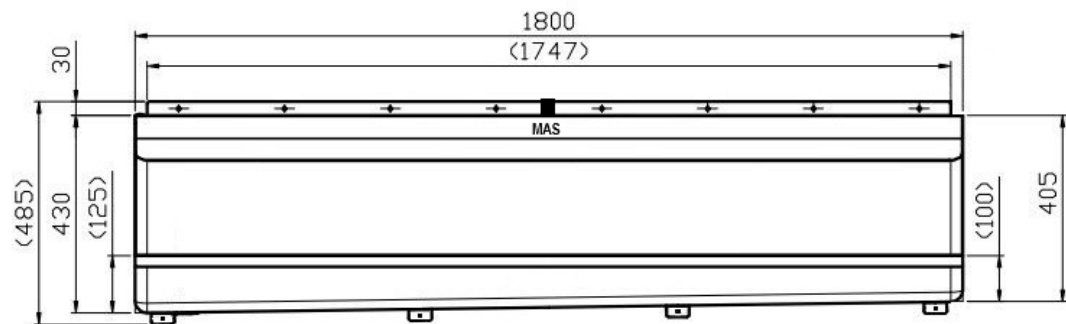


Product Code	UR3
	1800 mm Urinal
Material	304 grade Stainless Steel
Inlet	40mm bsp thread with nut and tapered washer.
Pipe	Included 40 x 750mm sparge pipe to suit CN4 Pullchain cistern
Outlet	SP4 50mm domed urinal grate 50mm BSP male thread
Comments	Wels and Watermarked
Complete setup	Parts required – UR3 & CN4 pullchain cistern



Front View - UR3



Options – Sold Separately



CN4



CL40

Rear View - UR3

