

Product Code	CS1-3 Cleaners sink with legs
Product Code	CS1 Cleaners sink only
Product Code	CS3 Legs only
Description	Cleaners sink with adjustable floor legs and hinged grate
Material	304 grade Stainless Steel
Material Thickness	0.9mm
Material Surface Finish	Satin Finish
Type of Mounting	Wall / Floor mounted with CS3 Brackets 450 mm – 495 mm Height adjustment
Overall Size	555 x 455mm
Bowl Size	480 x 380mm
Overall Depth of Bowl	220mm
Capacity	32 Litres
Outlet Size	90mm



Options – Sold Separately



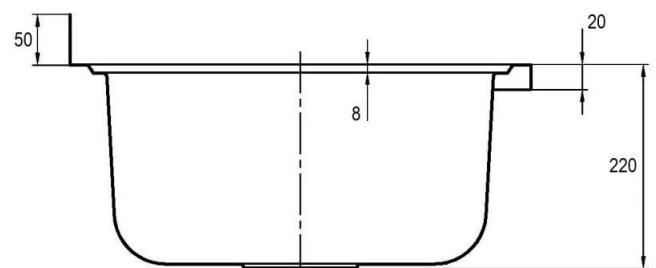
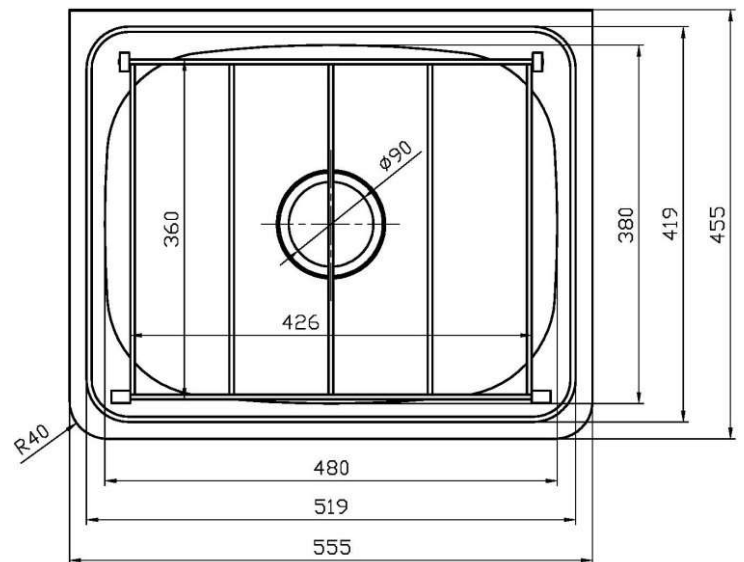
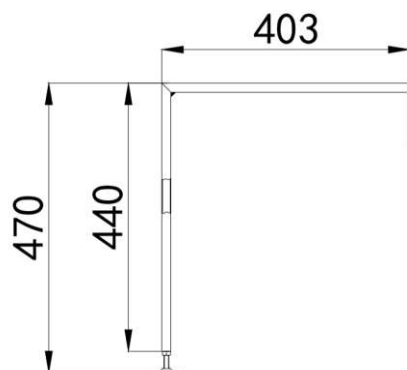
BW90S



PW9050



Optional separate piece splashback available
SBACK-300 300mm high
SBACK-450 450mm high
SBACK-600 600mm high



Product Code	CS1-2 Cleaners sink with Wall Brackets
Product Code	CS1 Cleaners sink only
Product Code	CS2 Brackets only
Description	Cleaners sink with reinforced wall brackets and hinged grate
Material	304 grade Stainless Steel
Material Thickness	0.9mm
Material Surface Finish	Satin Finish
Type of Mounting	Wall mounted with CS2 wall brackets 440 x 400mm
Overall Size	555 x 455mm
Bowl Size	480 x 380mm
Overall Depth of Bowl	220mm
Capacity	32 Litres
Outlet Size	90mm



Options – Sold Separately



BW90S



PW9050



Optional separate piece splashback available
SBACK-300 300mm high
SBACK-450 450mm high
SBACK-600 600mm high

