

Product Code

**TD3XL**

*Design Registered*

**Extended Front In wall Tundish with windowed face plate**

**Suitable for walls up to 37mm thick**

Material

304 grade Stainless Steel

Material Thickness

1.2mm

Material Surface Finish

Satin Finish –Anti corrosion surface

Type of Mounting

In wall stud fixed

Inlet Size (3 hole)

25 x 35 x 25mm

Outlet Size

40mm BSP male thread

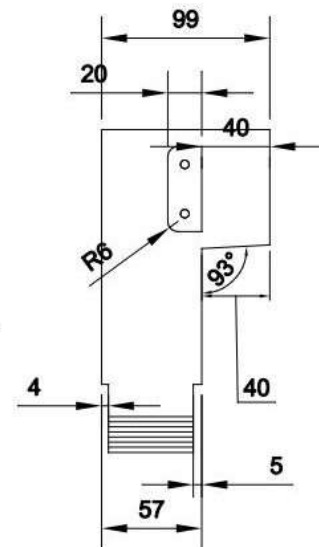
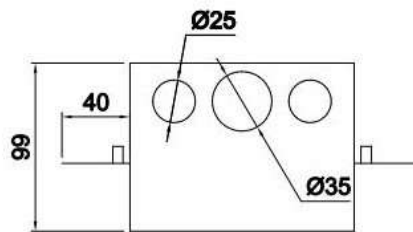
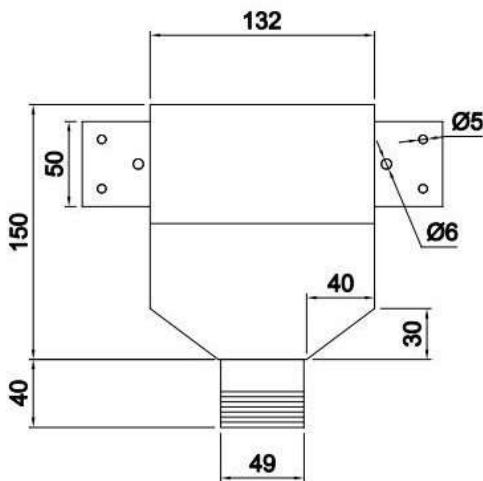
Features

Self-Draining tapered body

Extended front

Air break to prevent air lock

\*Installation instructions must be observed



Other face plate options:

