

SSBW3

Product code: SSBW3

90 x 50mm in sink waste arrestor

Domestic or Commercial use

Primary and secondary strainer with 3mm holes

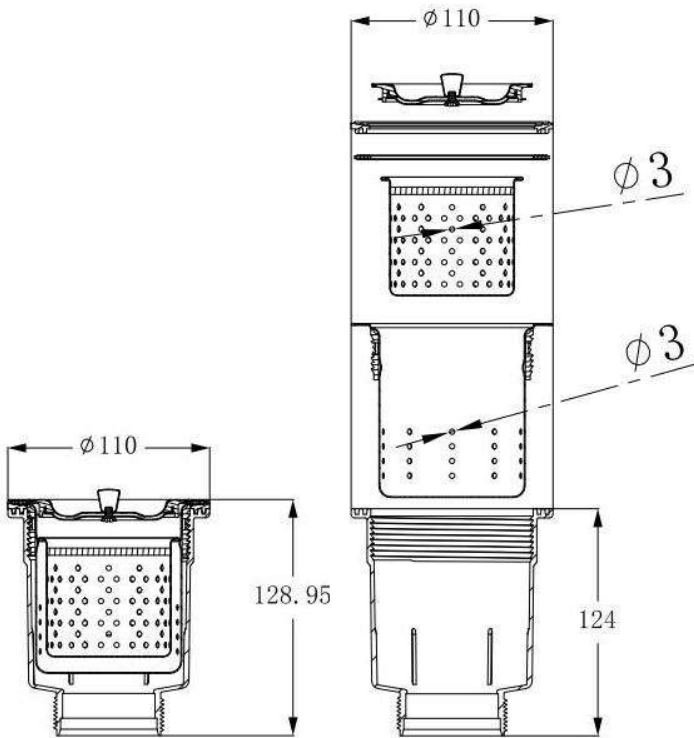
Fits any standard 90mm sink outlet

304 grade stainless steel inner and plug, PVC outer shell

50mm BSP male thread

Watermark approved

WMLN- 23441



Spare Parts

Scrap catch plug only: **SSBW3-P**



Scrap catch basket only: **SSBW3-B**



**90mm waste outlet can be punched and recessed ex. MAS head office Brisbane*